

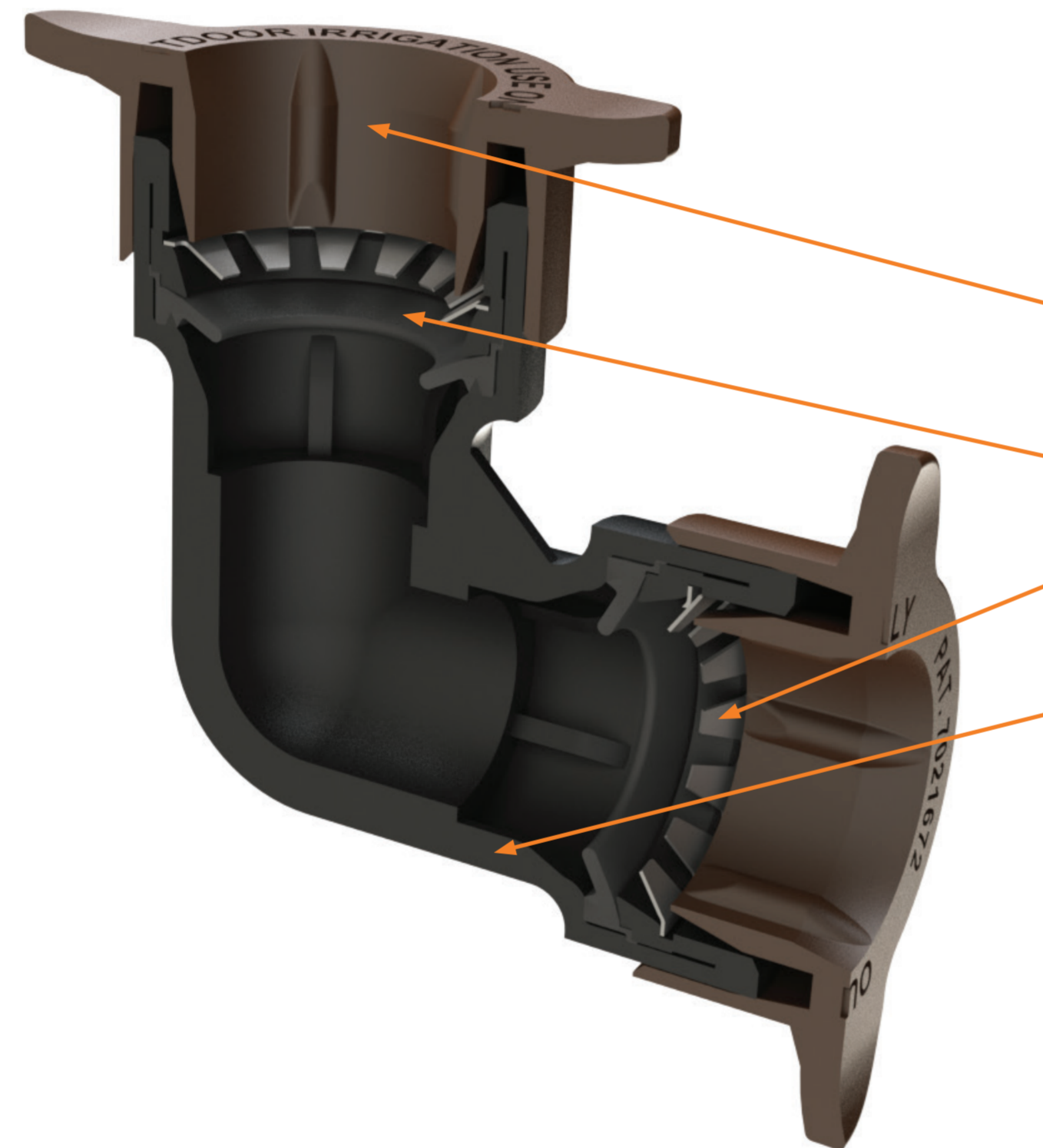


Repair or install drip tubing in less than half the time of traditional methods.

-  **FAST INSTALL**
-  **SIMPLE PUSH ON**
-  **360° ROTATION**
-  **NO WAITING INSTANT PRESSURIZATION**
-  **RELEASABLE & REUSABLE**
-  **FULL FLOW**
-  **IN HOT OR COLD WEATHER**
-  **IN WET OR DRY CONDITIONS**



LEARN MORE



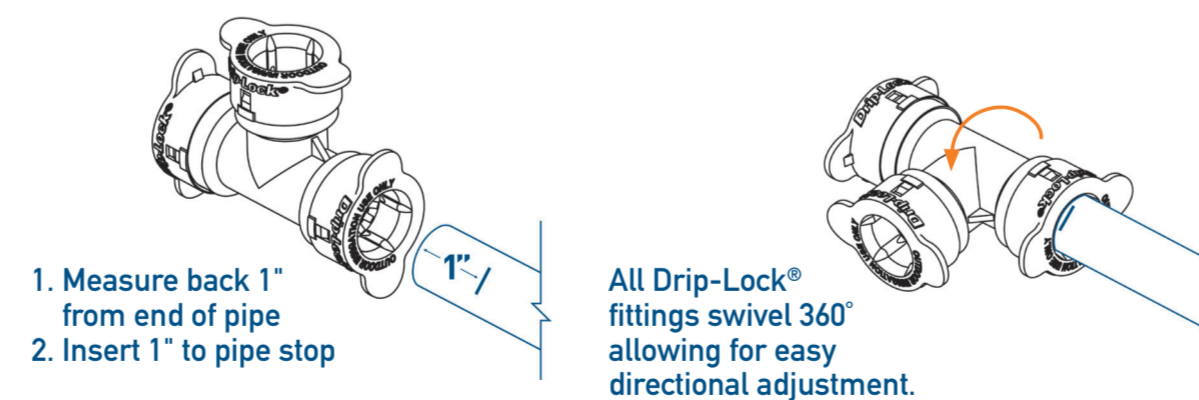
Fits most drip tubing and funny pipe (16-18mm OD)

Seal

Stainless steel retainer ring

Thick walls provide 100 psi Burst pressure

When pipe is inserted to the pipe stop, a seal is created around the pipe and the stainless steel ring "locks" the pipe in place.



**Warning:** For cold water outdoor irrigation connections only. Do not insert fingers. Ensure that pipe and fittings are free of dirt and debris prior to inserting the pipe into fitting.

**DRIP-LOCK FITTINGS**



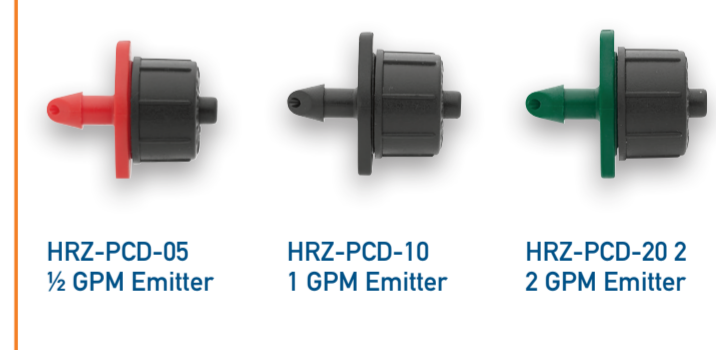
**DRIP-LOCK TUBING**



**PUSH-FIT VALVES**



**MAINTAINABLE PC EMITTER**



**DRIP FILTER REGULATORS**



**TOOL**



- DRIP-LOCK® FITTINGS SPECIFICATIONS**
- Max Pressure: 100 PSI
  - Body Material: ABS
  - Retaining Ring Material: Stainless Steel
  - Seal Material: EPDM